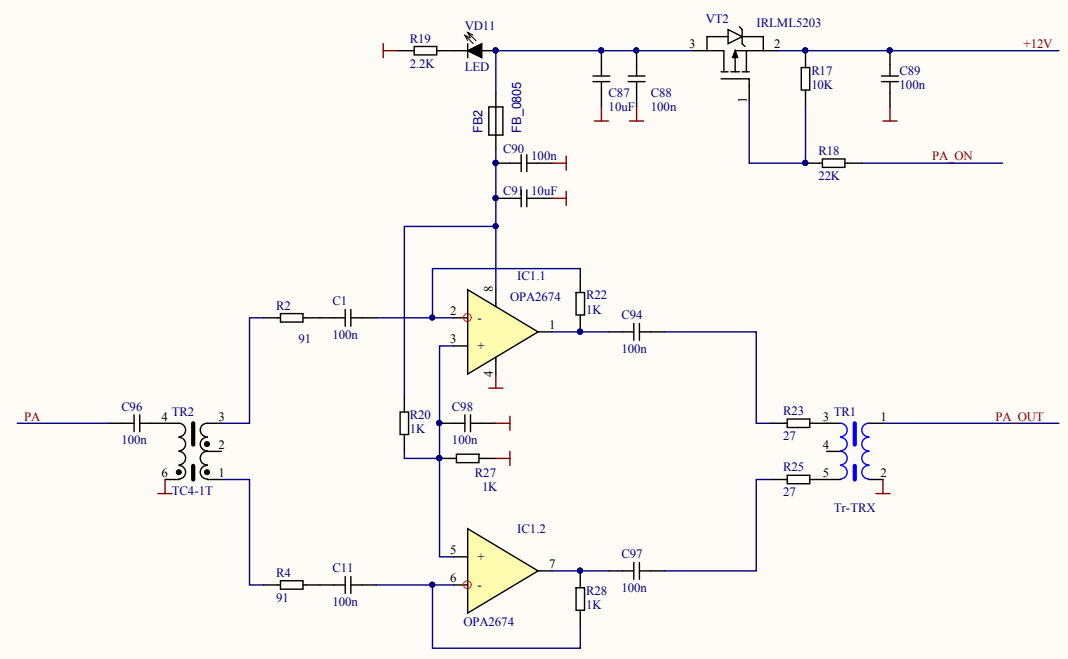
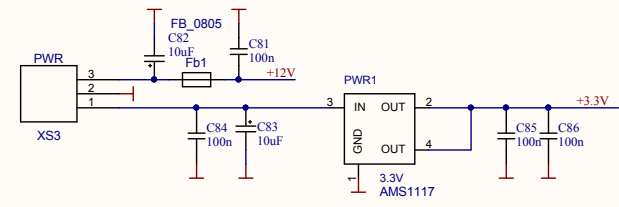
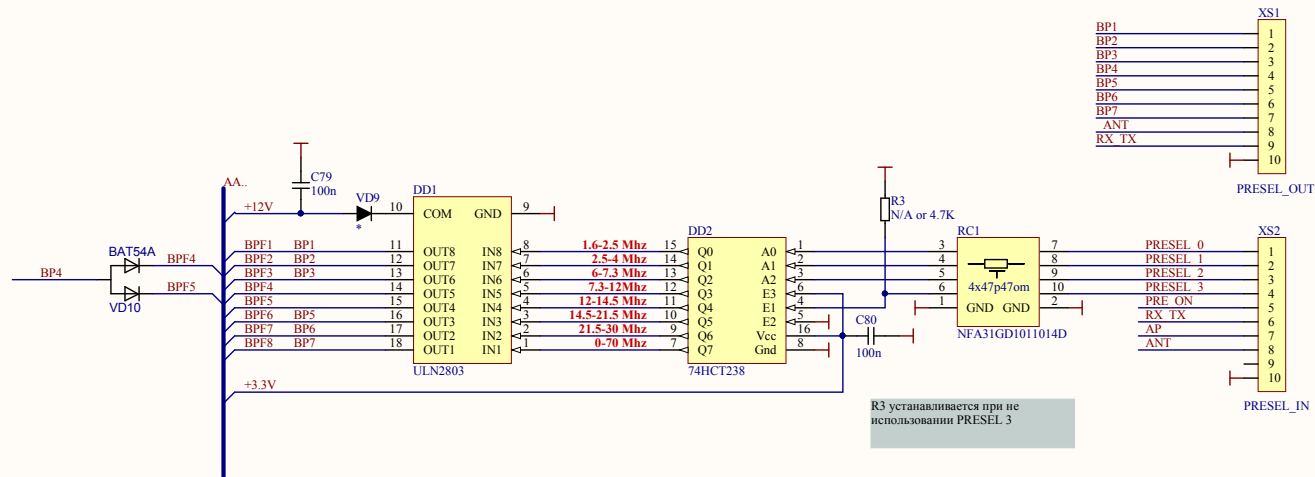


Title			
Size A3	Number VisAir	Revision QR1	
Date: 21.04.2016	Sheet of		8
File: D:\PCB\Project\BPF\bpf.SchDoc	Drawn By:		



Title		
Size A3	Number	Revision
Date: 21.04.2016	Sheet of	
File: D:\PCB\Project\BPF\ctrl.SchDoc	Drawn By:	